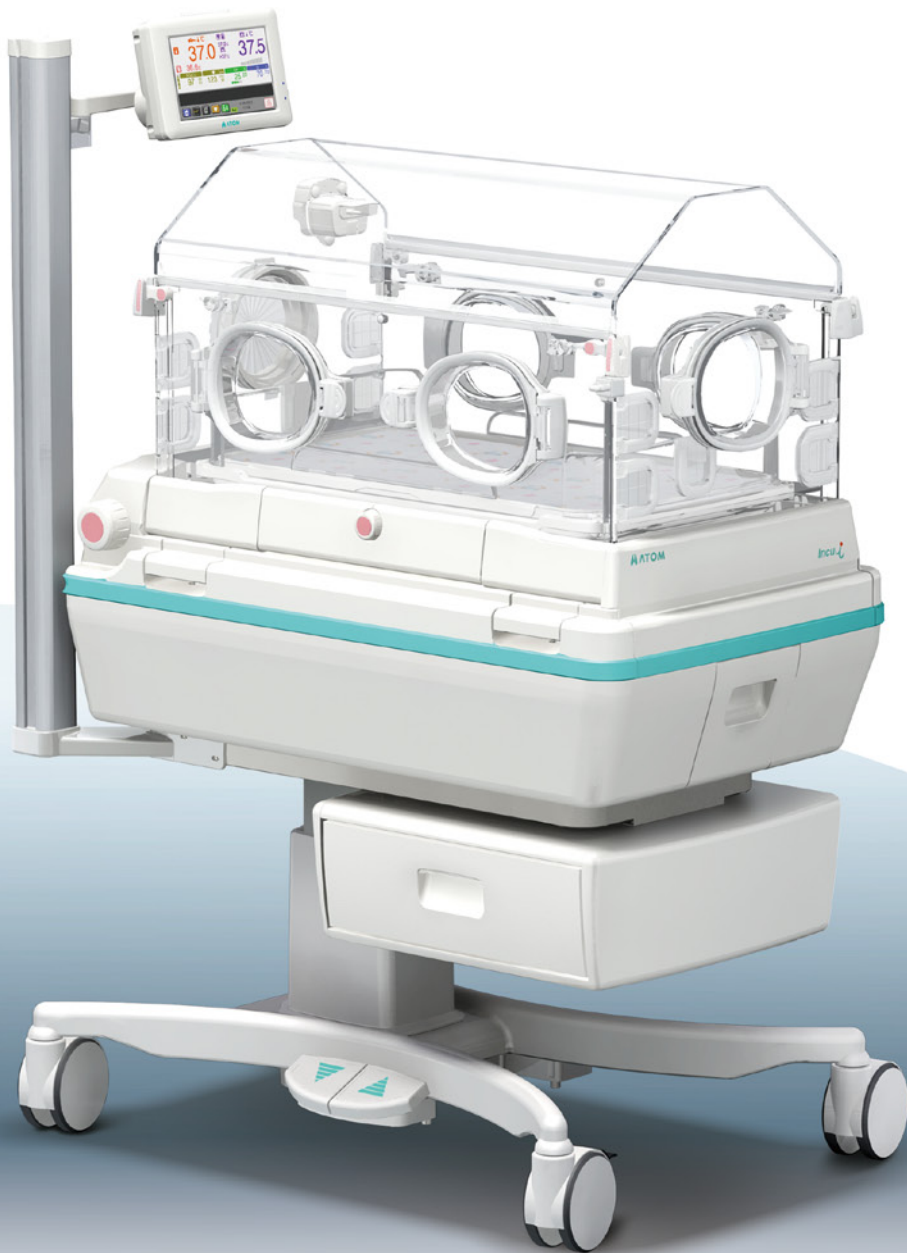


*Incu*i**

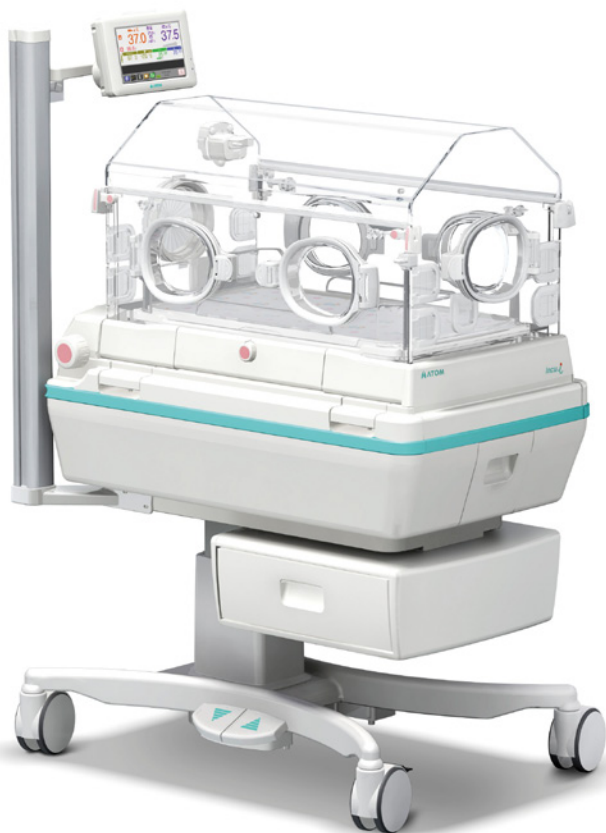
PRODUCT CATALOGUE





| | |
|-------------------------------------|----|
| Main Body | 1 |
| Optional Accessory | 2 |
| Peripheral..... | 10 |
| Disposable / Consumable Items | 24 |

Main Body



*The drawer shown is optional.

Incu i

User friendliness and safety are important features for the healthcare professional. Standard model to support daily nursing care.

<Friendliness> Improve work efficiency and protect the infant from stress.

<Reliable performance> Basic features of an infant incubator are incorporated.

Make the utmost use of workspace around the incubator. Peripheral equipment can be mounted easily.

| Atom's Code | Description | Power requirements | O2 Controller Unit |
|-------------|-------------|--------------------|--------------------|
| 61605 | Incu i | AC120V ±10% | Attached |
| 61607 | | | Not Attached |
| 61606 | | AC230V ±10% | Attached |
| 61608 | | | Not Attached |

Features Included

Temperature control
Humidity control
HLstand

Accessories

| | |
|--|---|
| Dust Cover | 1 |
| Skin Temp Probe, 5mm O.D. (Y) | 1 |
| Pneumoclean | 1 |
| Access Port Cover | 2 |
| Piping Connecting Hose 3m (For Oxygen) * | 1 |
| Oxygen Sensor * | 2 |

*Only with O₂ Controller.

[add-on]

| Atom's Code | Description | |
|-------------|-----------------------|---------|
| 61621 | SpO ₂ Unit | Masimo |
| 61622 | | Nellcor |

The oxygen administration can do safely.
The trend graph is displayed on the display.
The SpO₂ cable and the sensor are not included in the standard accessories.

[add-on]

| Atom's Code | Description |
|-------------|---------------------|
| 61615 | Weight Monitor Unit |

The infant's weight can be measured automatically in the incubator and displayed in 1g increment.

Optional Accessory



Monitor Table for Philips monitor For F-Rail

The monitor table for the Phillips monitor

| Atom's Code | Description |
|-------------|-----------------------------------|
| 60350 | Monitor Table for Philips monitor |

Parts required for mounting the product

The Monitor Table for Phillips monitor is attached to the F-Rail of the main body with the attachment supplied with this product.



Monitor Table For F-Rail

The monitor table for the GCX-arm

| Atom's Code | Description |
|-------------|---------------|
| 60349 | Monitor Table |

Parts required for mounting the product

The Monitor Table for GCX-arm is attached to the F-Rail of the main body with the attachment supplied with this product.



Power Pack i For Dual incu i, Incu i, Infa Warmer i

Warming and humidification are ensured even during transport. The Power Pack i is an uninterruptible power supply (UPS) to protect the unit from power failure or power interruption.

| Atom's Code | Description | Power requirements |
|-------------|--------------|--------------------|
| 61623 | Power Pack i | AC120V ±10% |
| 61624 | | AC230V ±10% |

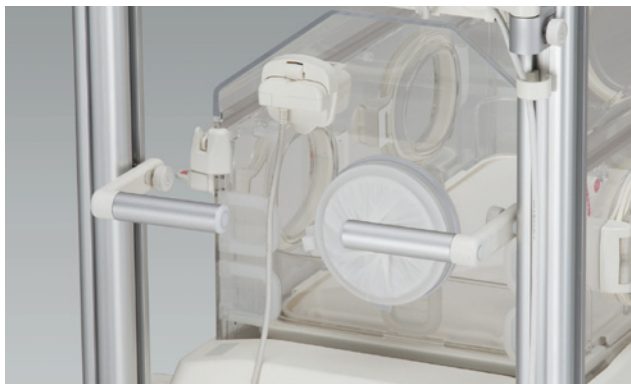
Specifications

| | |
|---|---------------------|
| Operable time | About 10~50 minutes |
| Time required for a completely discharged battery to be fully recharged | About 24 hours |

Parts required for mounting the product

The Power Pack i is attached to the main body with the mounting parts supplied with this product.

Optional Accessory



Handle For F-Rail

The vertical position of the handle can be adjusted easily according to the height of the operator. It is conveniently used to move Incu i or Infa Warmer i to another place.

| Atom's Code | Description | Packing Qty |
|-------------|-------------|-------------|
| 60899 | Handle | (2 pcs/set) |

Parts required for mounting the product

The Handle is attached to the F-rail of the main body with the fixing screw supplied with this product.



Drawer w/mounting bracket, For i series incubator

The drawer with no rails opens and closes so silently that it gives less stress to the patient. You can store small things on the tray in the drawer.

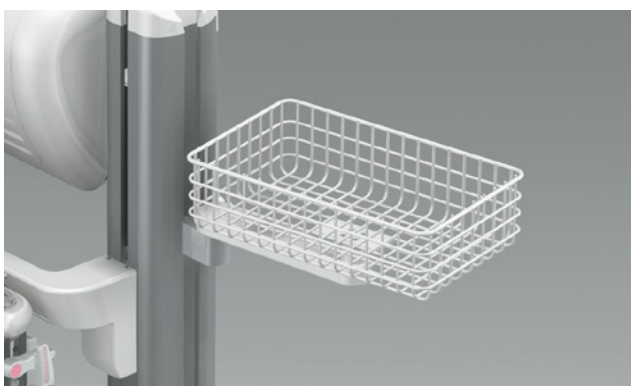
| Atom's Code | Description |
|-------------|-------------|
| 60888 | Drawer |

Specifications

| | |
|--------------------------|-------------------------|
| Load capacity | 3kg |
| Dimensions of the tray | 431×260×51mm(OD) |
| Dimensions of the drawer | 421×421×138mm(ID) |
| Storage capacity | 24459[cm ³] |

Parts required for mounting the product

The Drawer is attached to the main body with the screws supplied with this product.



Basket w/arm For F-Rail

The vertical position of the basket can be adjusted easily as desired. The basket is deep enough to conveniently accommodate tall containers such as bottles of alcohol disinfectant solutions.

| Atom's Code | Description |
|-------------|-------------|
| 60894 | Basket |

Specifications

| | |
|------------------|------------------------|
| Load capacity | 3kg |
| Dimensions | 325×195×90mm |
| Storage capacity | 5458[cm ³] |
| Arm length | 247mm |

Parts required for mounting the product

The Basket is attached to the F-rail of the main body with the fixing screws supplied with this product.

Optional Accessory



Tray Set For F-Rail

The vertical position of the Tray Set can be adjusted easily according to the height of the operator. Its load capacity is sufficient to bear the weight of peripheral devices.

With the load capacity of 14kg, this Tray Set can bear the weight of peripheral devices.

| Atom's Code | Description |
|----------------|--------------|
| 61617 | Tray Set |
| Specifications | |
| Load capacity | 14kg |
| Dimensions | 405×305×15mm |
| Arm length | 300mm |

Parts required for mounting the product

The Tray Set is attached to the F-rail of the main body with the fixing screws supplied with this product.



Tray Set (S) For F-Rail

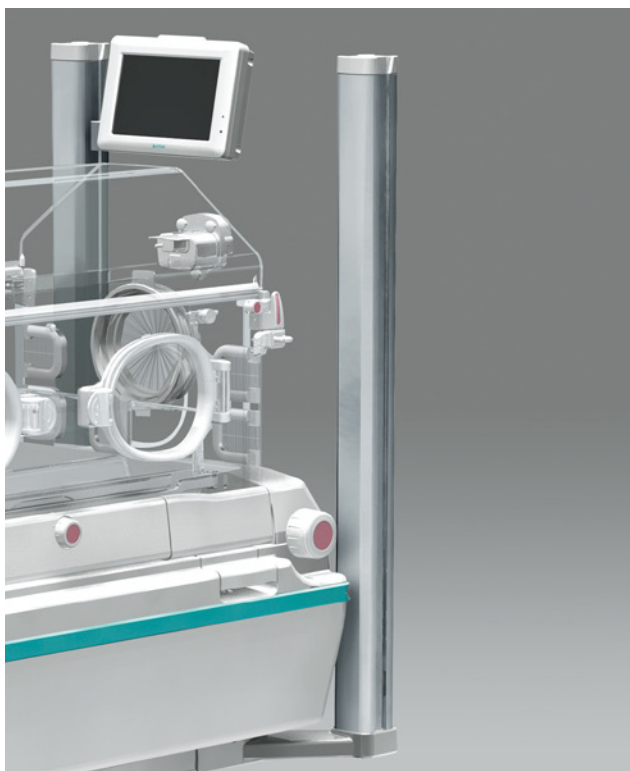
The vertical position of the Tray Set (S) can be adjusted easily according to the height of the operator. Small instruments necessary for routine medical procedures can be placed on this small tray.

| Atom's Code | Description |
|----------------|--------------|
| 61618 | Tray Set (S) |
| Specifications | |
| Load capacity | 3kg |
| Dimensions | 320×200×27mm |
| Arm length | 247mm |

Parts required for mounting the product

The Tray Set (S) is attached to the F-rail of the main body with the fixing screws supplied with this product.

Optional Accessory



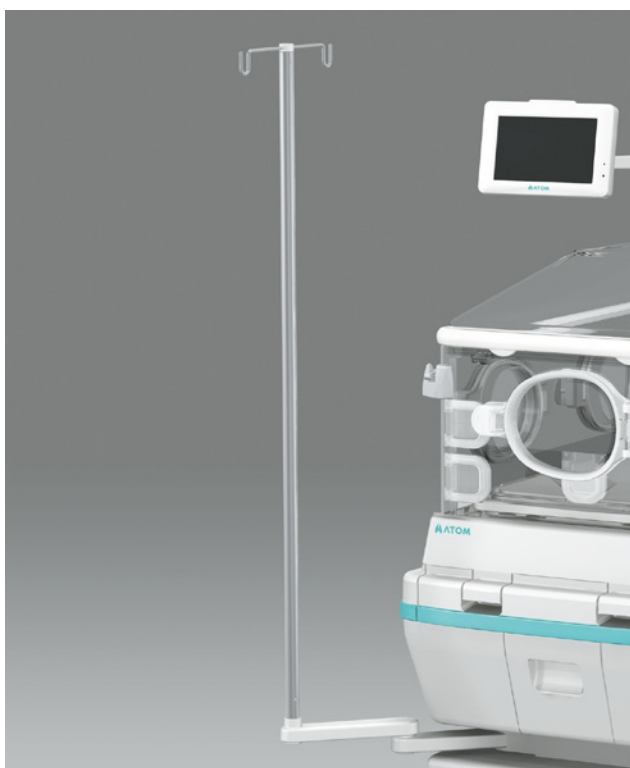
F-Rail Pole For Incu i

The F-Rail Pole for the Incu i
With the load capacity of 20kg, this F-Rail Pole can bear the weight of various peripheral devices and options for the main body.

| Atom's Code | Description |
|----------------|-------------|
| 60873 | F-Rail Pole |
| Specifications | |
| Load capacity | 20kg |
| Pole length | 920mm |

Parts required for mounting the product

The F-Rail Pole is attached to the main body with the mounting parts supplied with this product.



Crank Type I.V Pole For i series incubator

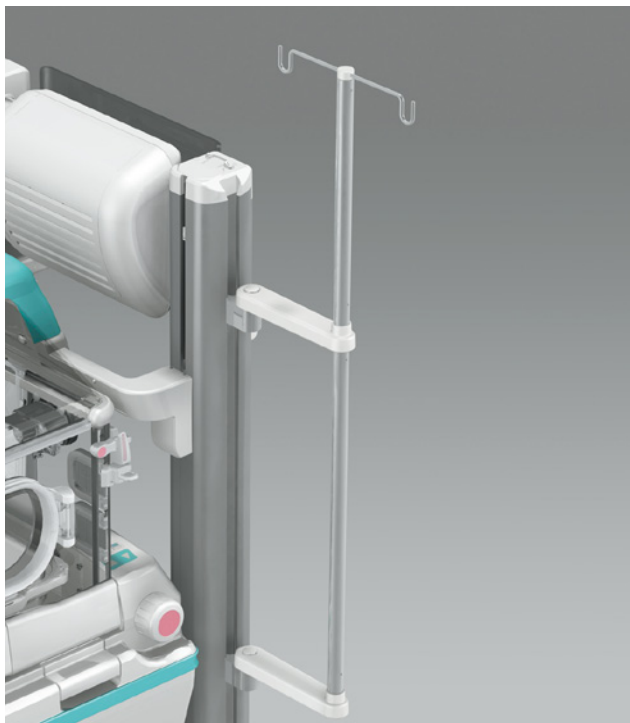
The Crank Type I.V Pole is attached to the foot end of the incubator.
With the load capacity of 10kg, this Crank Type I.V Pole can bear the weight of a syringe pump, etc.

| Atom's Code | Description |
|----------------|---------------------|
| 60892 | Crank Type I.V Pole |
| Specifications | |
| Load capacity | 10kg |
| Pole length | 1160mm |

Parts required for mounting the product

The Crank Type I.V Pole is attached to the main body with the fixing screws supplied with this product.

Optional Accessory



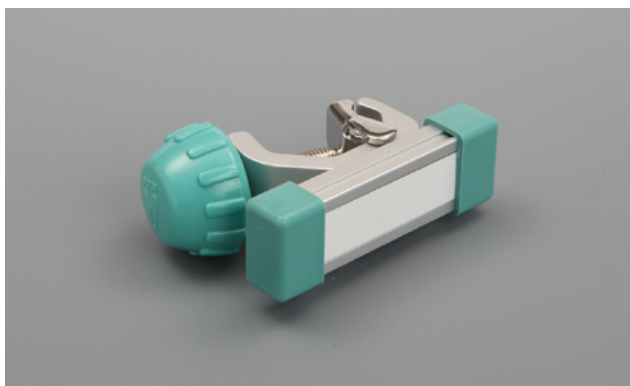
I.V Pole For F-Rail

I.V pole for the F-rail
With the load capacity of 10kg, this I.V Pole can bear the weight of various peripheral devices.

| Atom's Code | Description |
|----------------|-------------|
| 60893 | I.V Pole |
| Specifications | |
| Load capacity | 10kg |
| Pole length | 1050mm |

Parts required for mounting the product

The I.V Pole is attached to F-Rail of the main body with the fixing screws supplied with this product.



MF-Rail, 7cm Pole mounting type

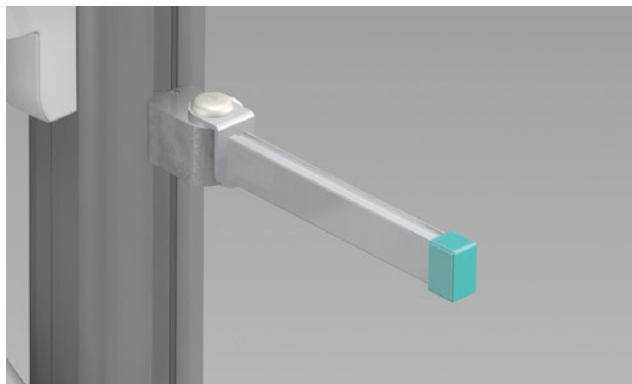
MF-rail of the pole mounting type
Use this rail to mount the peripheral devices attachable to the MF-rail to the I.V pole.

| Atom's Code | Description |
|----------------|--------------|
| 60306 | MF-Rail, 7cm |
| Specifications | |
| Rail length | 7cm |

Parts required for mounting the product

The I.V Pole (Atom's Code: 60893) or the Crank Type I.V Pole (Atom's Code:60892) is necessary.

Optional Accessory



MF-Rail For F-Rail (Left & Right)

MF-rail of the rail mounting type
Use this rail to mount the peripheral devices attachable to the MF-rail to the F-rail.

| Atom's Code | Description |
|----------------|-------------|
| 61616 | MF-Rail |
| Specifications | |
| Load capacity | 5kg |
| Rail length | 225cm |

Parts required for mounting the product

The MF-rail is attached to the F-rail of the main body with the fixing screws supplied with this product.



Drainage Hanger (Front) For i series incubator

The Drainage Hanger (Front) is used to hang a low-pressure continuous aspirator or a drainage bag at the foot end of the incubator.

| Atom's Code | Description |
|----------------|-------------------------|
| 60874 | Drainage Hanger (Front) |
| Specifications | |
| Load capacity | 2kg |

Parts required for mounting the product

The Drainage Hanger (Front) is attached to the main body with the mounting parts supplied with this product.



Drainage Hanger (Side) For i series incubator

The Drainage Hanger (Side) is used to hang a low-pressure continuous aspirator or a drainage bag at either side of the incubator.

| Atom's Code | Description | Packing Qty |
|----------------|------------------------|-------------|
| 60875 | Drainage Hanger (Side) | (2 pcs/set) |
| Specifications | | |
| Load capacity | 2kg | |

Parts required for mounting the product

The Drainage Hanger (Side) is attached to the main body with the mounting parts supplied with this product.

Optional Accessory



Code Guide For i series incubator

The Cord Guide holds in place the power cords of the peripheral devices attached to the foot end of the incubator and keeps them off the floor.

| Atom's Code | Description | Packing Qty |
|-------------|-------------|-------------|
| 60876 | Code Guide | (2 pcs/set) |

Parts required for mounting the product

The Cord Guide is attached to the main body with the mounting parts supplied with this product.



Holder for Patient Circuit w/arm

The holder for the patient circuit for the Incu i and the Neo Servo i. It ensures easy and firm insertion and fixation of the patient circuit.

| Atom's Code | Description |
|-------------|----------------------------|
| 60857 | Holder for Patient Circuit |

Parts required for mounting the product

The Access Port is removed and then the Holder for Patient Circuit is attached instead.



Tube Holder For i series incubator, V-2200, V-2100G, Neo-Servo

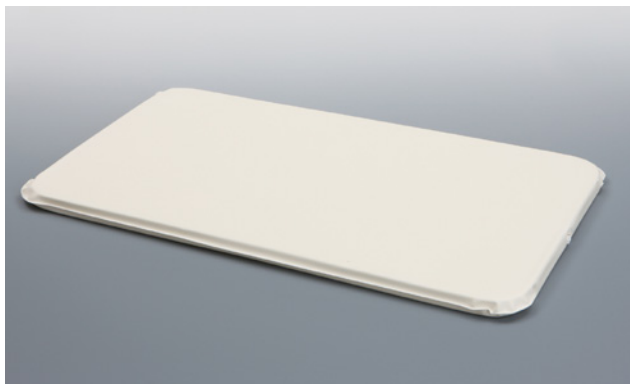
This Tube Holder ensures firm fixation of the patient circuit.

| Atom's Code | Description |
|-------------|-------------|
| 60858 | Tube Holder |

Parts required for mounting the product

This Tube Holder is attachable to the mattress platform of the i series incubators.

Optional Accessory



Mattress For i series incubator

The Mattress for the i series incubators
 The Pressure Dispersion Mattress provides constant comfort and reduces the patient's stress due to bedsores.

| Atom's Code | Description |
|-------------|------------------------------|
| 60879 | Pressure Dispersion Mattress |
| 60896 | Mattress |

Peripheral Neo-Light



Neo-Light

With an LED light and hand sensor, both brightness and hygiene have been incorporated into this examination light.

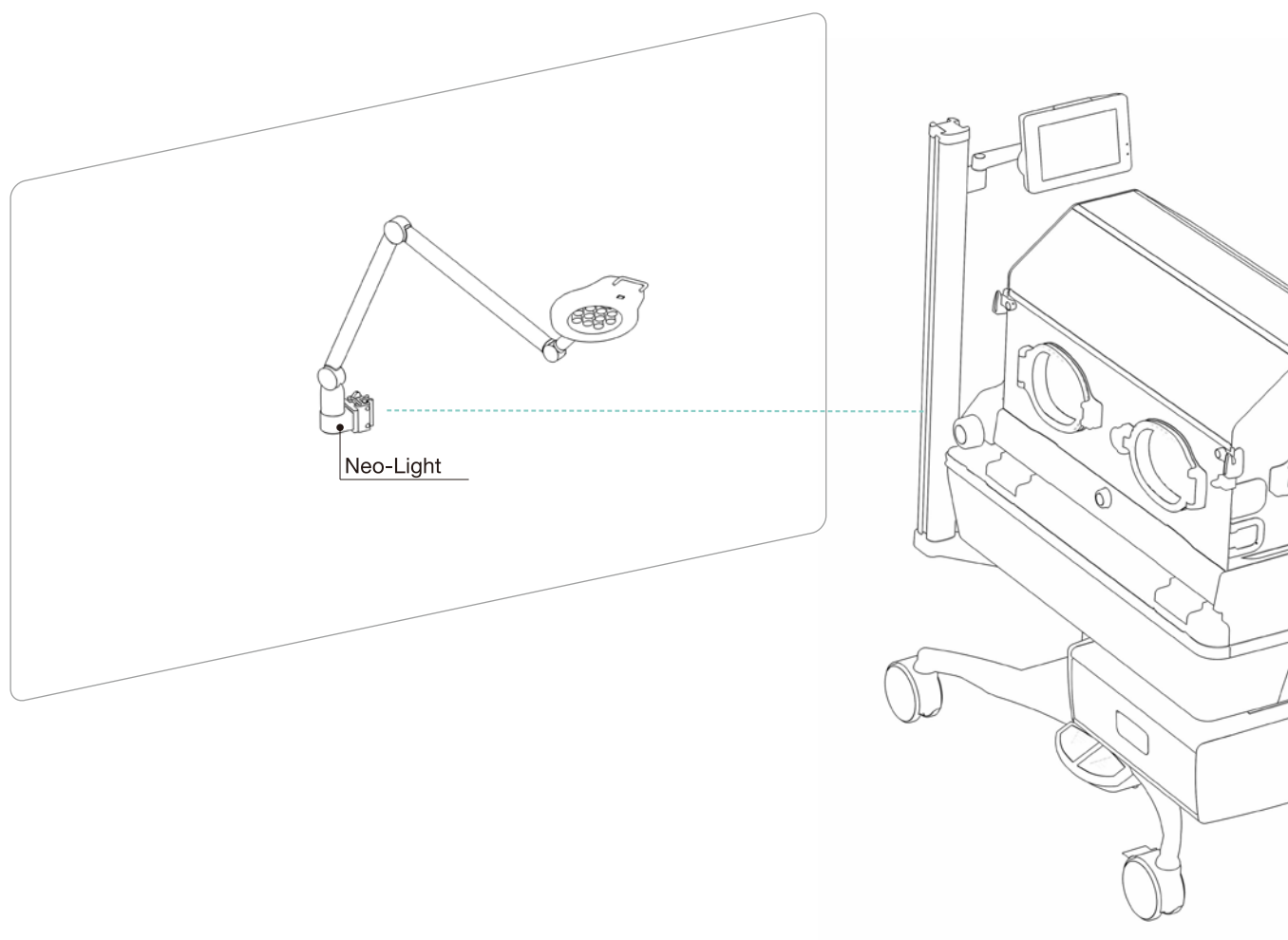
- LED light of 35,000 lux is used.
- The light can be turned on and off by waving your hand underneath the sensor.
- Required only 30% energy of conventional halogen light.

| Atom's Code | Description | Power requirements |
|---------------------------|-------------|--------------------|
| 60215 | Neo-Light | AC100~240V |
| Accessories | | |
| Attachment | | 1 |
| Bracket | | 1 |
| AC adapter | | 1 |
| Power cord(SE plug) | | 1 |
| Power cord(A plug) | | 1 |

| Specifications | |
|------------------------|-------------------|
| Light source | LED lamps |
| Illumination intensity | At least 35,000lx |

| Parts required for mounting the product |
|--|
| The Neo-Light is attached to the F-Rail of the main body with the attachment supplied with this product. |

Peripheral Neo-Light Diagram



Peripheral Safety Flow OX-248,OX-240



Safety Flow

The float (ball) in the flowmeter moves up and down to clearly reflect the oxygen flow. This helps the operator adjust the flow rate easily.

| Atom's Code | Description | Model No. | Intended use | How to mount the product |
|-------------|-------------|-----------|---------------------|--------------------------|
| 61222 | Safety Flow | OX-248 | For a piping system | Rail mounting type |
| 60357 | | OX-240 | | |

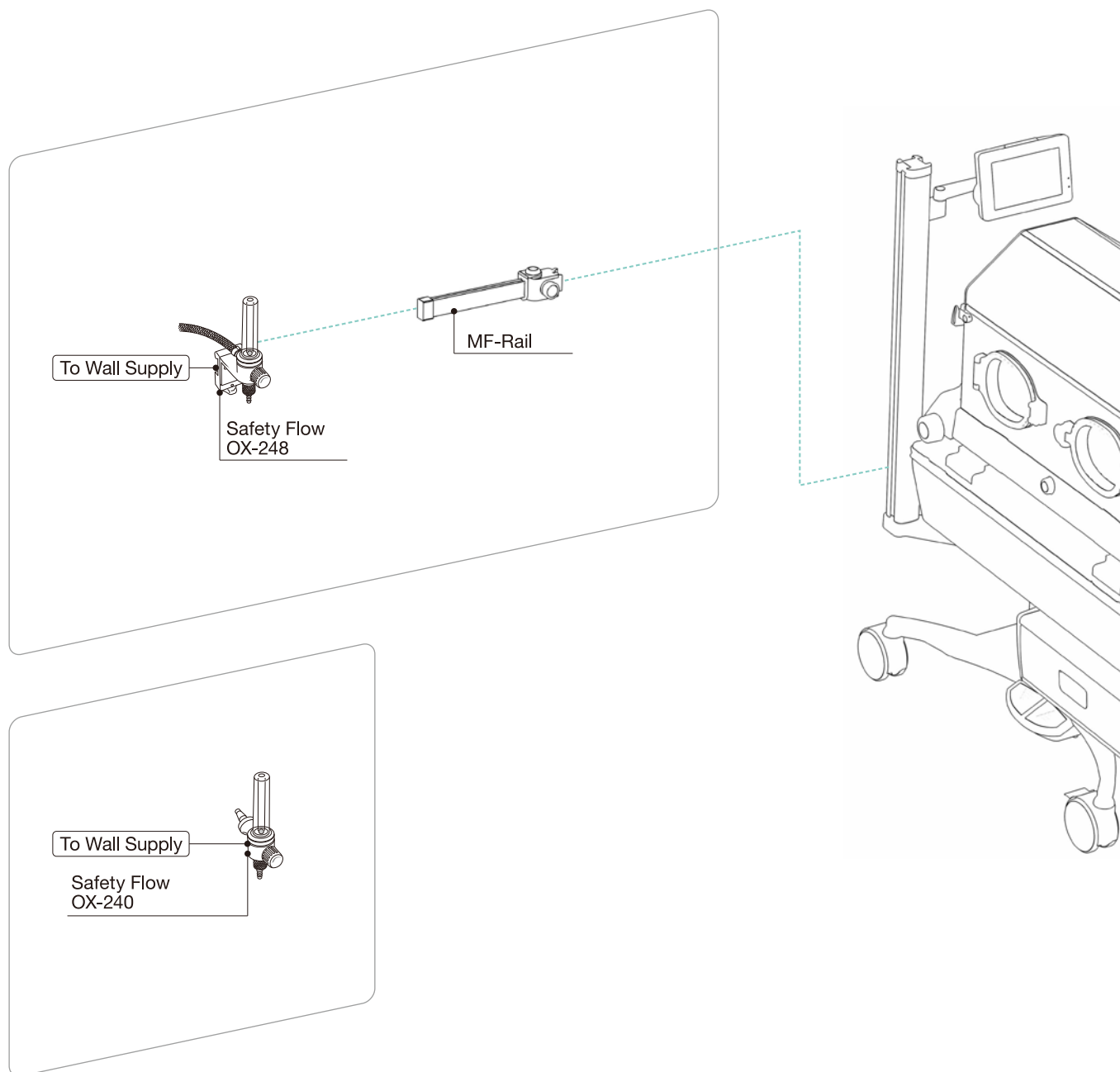
Parts required for mounting the product

For the rail mounting type, the MF-Rail (Atom's Code:61616) is necessary.

Humidifier Bottle OX-230

| Atom's Code | Description |
|-------------|--------------------------|
| 60241 | Humidifier Bottle OX-230 |

Peripheral Safety Flow OX-248,OX-240 Diagram



Peripheral Yox Model S401D / Yox Model S401A



Yox Aspirator

- Yox Model S401D is a compact size aspirator with a disposable liner to keep it always clean.
- Yox Model S401A is a reusable aspirator.

| Atom's Code | Description |
|--|-------------------------------------|
| 60356 | Yox Model S401D (Liner type), 500mL |
| Specifications | |
| Capacity of the liner | 500mL |
| Adjustable suction pressure range | 0~-80kPa |
| Accessories | |
| Piping Connecting Hose for Suction | 1 |
| Suction Hose | 1 |
| Dispo Liner | 1 |

* The Dispo Liner is necessary as a consumable. For more information, see p. 32.



| Atom's Code | Description |
|--|-------------------------------------|
| 61228 | Yox Model S401A Aspirator, 1200mL |
| Specifications | |
| Capacity of the bottle | 1200mL(1000mL up to the FULL level) |
| Adjustable suction pressure range | 0~-80kPa |
| Accessories | |
| Piping Connecting Hose for Suction | 1 |
| Suction Hose | 1 |

Parts required for mounting the product

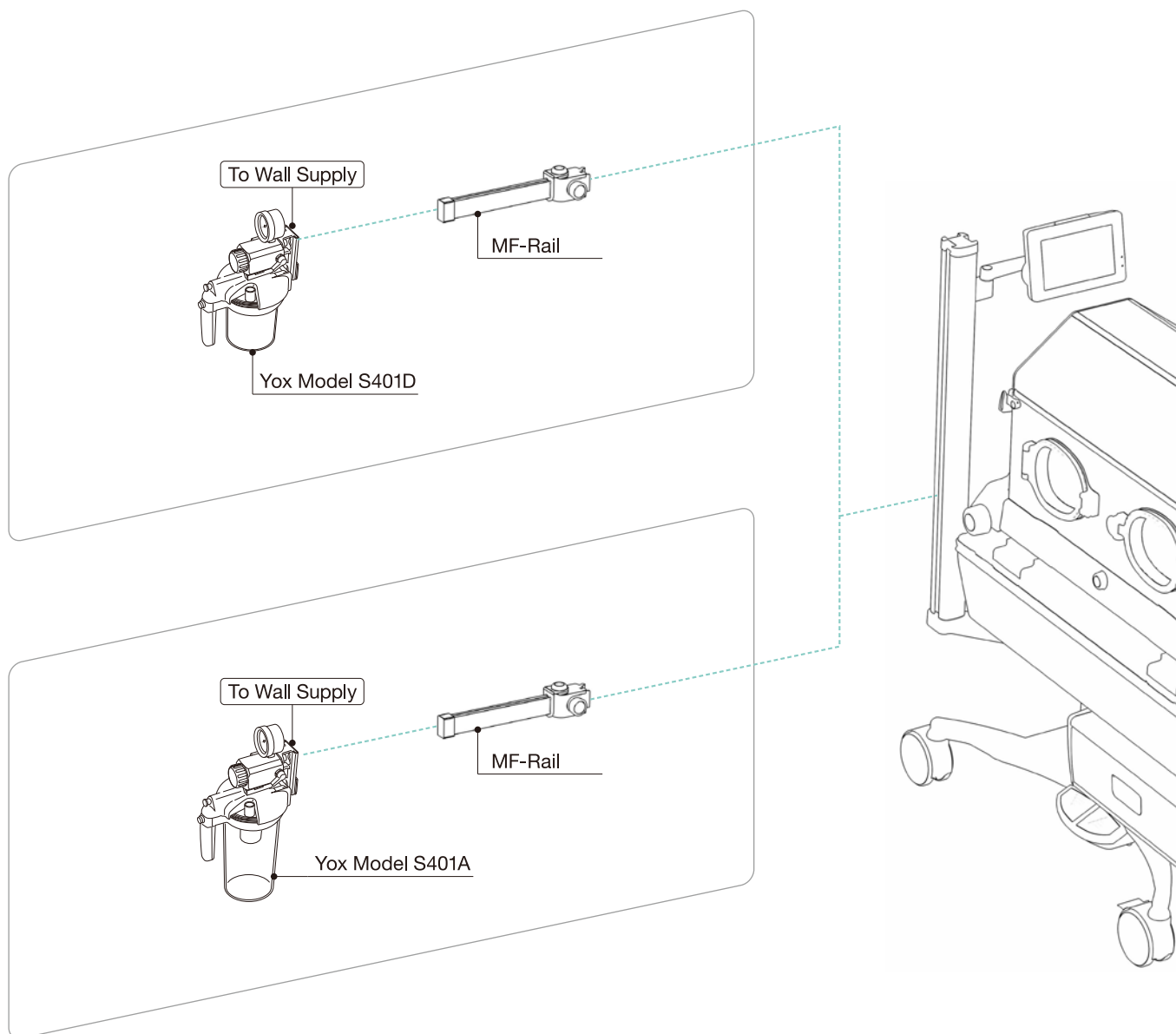
The MF-Rail (Atom's Code:61616) is necessary.

Suction Canister, 500mL For S401D



| Atom's Code | Description |
|-------------|-------------------------|
| 61619 | Suction Canister, 500mL |

Peripheral Yox Model S401D / Yox Model S401A Diagram



Peripheral ATOM SYRINGE PUMP S-1235



ATOM SYRINGE PUMP S-1235

The ATOM SYRINGE PUMP S-1235 incorporates many safety features

- Quadruple checking ensures proper attachment of the syringe.
- Occlusion pressure is displayed on the trend graph.
- The function to prevent operation errors is provided.

| Atom's Code | Description | Power requirements |
|-------------|--------------------------|--------------------|
| 62145 | ATOM SYRINGE PUMP S-1235 | AC120V |
| 62140 | | AC220V~AC240V |

Specifications

| | |
|---------------------------------|--|
| Battery capacity | Lithium-ion battery The syringe pump is operable for approx. three hours when powered by a fully charged battery (at least about 10 hours of charging are required when the power switch is off.) |
| Flow rate setting range | 0.1~1200mL/h (in 0.1mL/h increments) |
| Prime flow rate | 100~300mL/h for a 10, 20 or 30mL syringe; 100~1200mL/h for a 50mL syringe |
| Flow rate accuracy | Mechanical accuracy: within±1% Accuracy when a syringe is used: within±3% |
| Detection of occlusion pressure | 20~140kPa |

Accessories

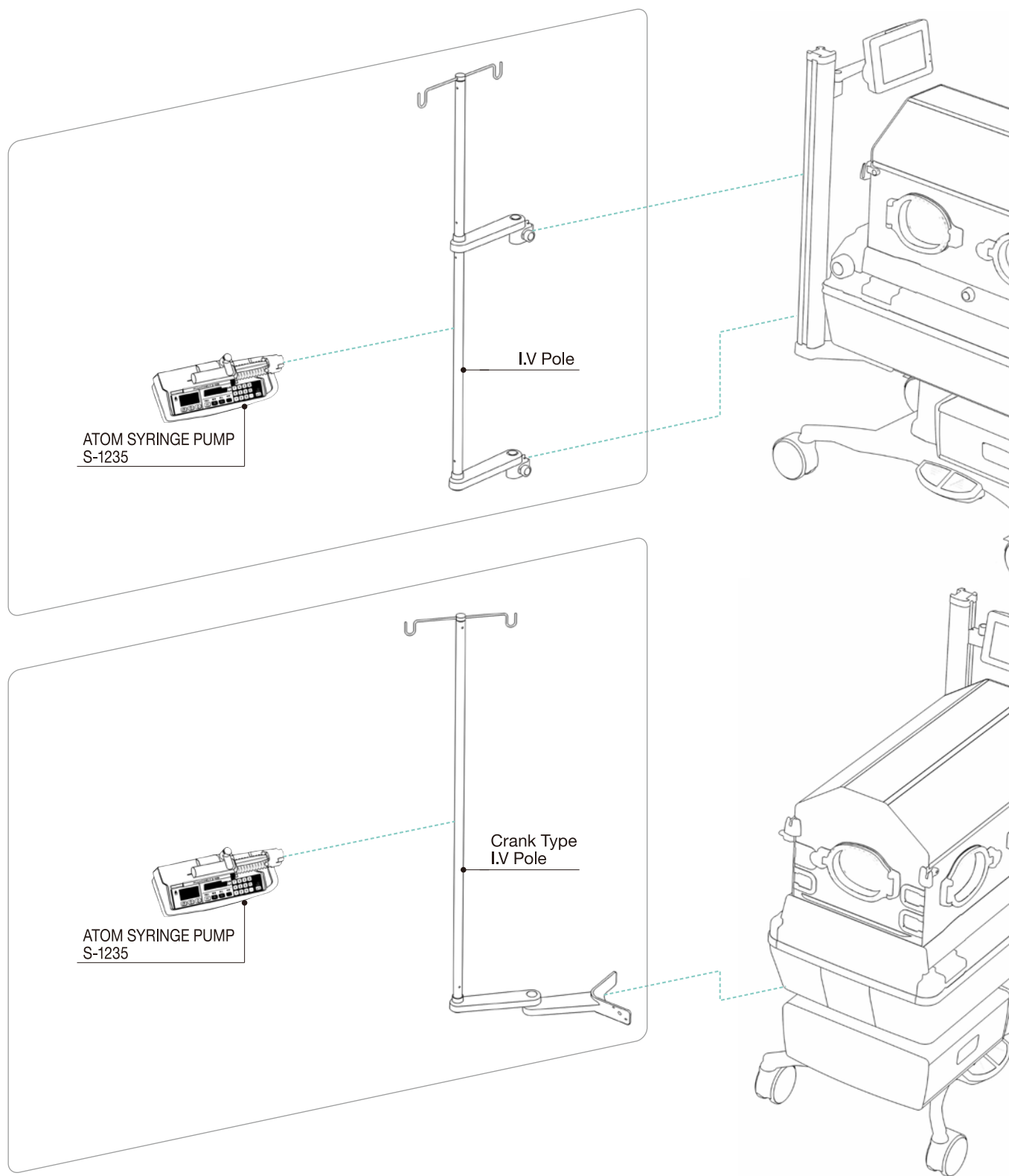
| | |
|---|---|
| Mounting table for the syringe pump | 1 |
|---|---|

Parts required for mounting the product

The I.V Pole (Atom's Code:60893) or the Crank Type I.V Pole (Atom's Code:60892) is necessary.

*NOTE : except for US.

Peripheral ATOM SYRINGE PUMP S-1235 Diagram



Peripheral Pressure Regulator OX-231,OX-232 / Safety Flow OX-202



Pressure Regulator

The pressure regulator for a cylinder with G type valve

| Atom's Code | Description | Model No | Intended use |
|-------------|--------------------|----------|---------------------------------|
| 61226 | Pressure Regulator | OX-231 | For Oxygen Cylinder, Screw Type |
| 61227 | | OX-232 | For Air Cylinder, Screw Type |



Safety Flow

The float (ball) in the flowmeter moves up and down to clearly reflect the oxygen flow. This helps the operator adjust the flow rate easily.

| Atom's Code | Description | Model No. | Intended use |
|-------------|-------------|-----------|--|
| 61225 | Safety Flow | OX-202 | For a cylinder (with pressure regulator) |



Cylinder Rack For F-Rail

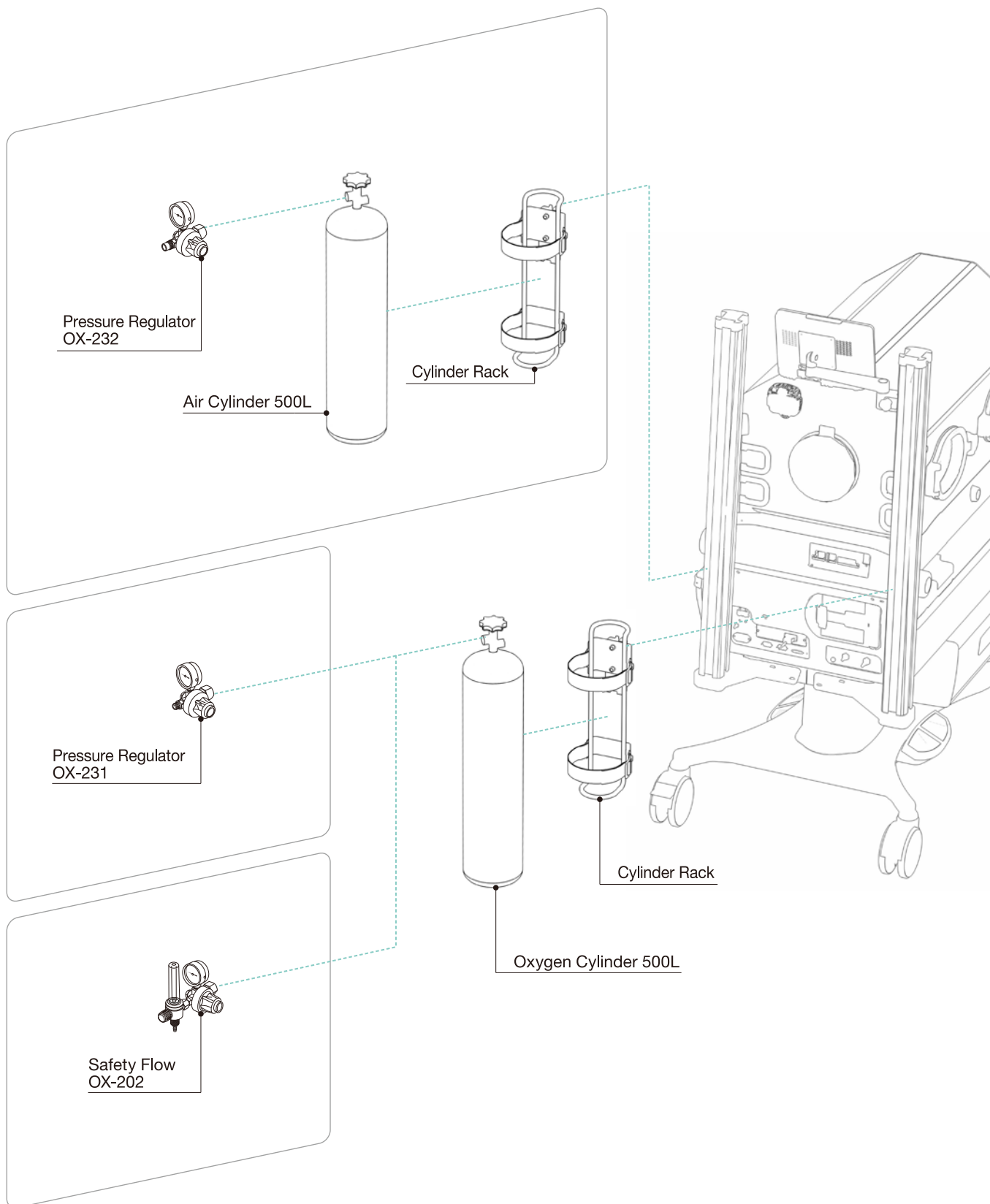
The rack for holding a 500L cylinder

| Atom's Code | Description |
|-------------|---------------|
| 60895 | Cylinder Rack |

Parts required for mounting the product

The Cylinder Rack is attached to the F-Rail of the main body with the fixing screws supplied with this product.

Peripheral Pressure Regulator OX-231,OX-232 / Safety Flow OX-202 Diagram



Peripheral BILI-THERAPY Spot Type / BILI-THERAPY Pad Type

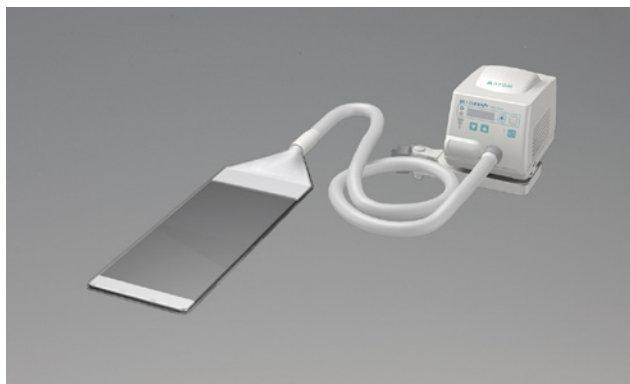


BILI-THERAPY Spot Type

Effective Phototherapy Treatment and Space-saving

- Effective phototherapy treatment by blue LED
Promote early hospital discharge by reducing the treatment time in providing high irradiation intensity and effective wavelength.
- Space-saving
The unit can be mounted on the F-Rail without using a stand for space-saving around the incubator or warmer.
- Switchable to examination lamp with one-touch of a button.
As an examination lamp, the condition of an infant can be monitored. (White LED)

*Coming soon



BILI-THERAPY Pad Type

Pad-type Phototherapy Unit good for Kangaroo-care

- Effective light treatment by blue LED
Supports early hospital discharge by reducing the treatment time with high irradiation intensity and effective wavelength.
- Enables the light treatment by fiber irradiation while holding a baby
The light treatment while holding a baby is possible because the irradiation area is soft fiber.
- Enables to use widely
The device can be used widely for bassinet as well as infant incubator and infant warmer.

*Coming soon

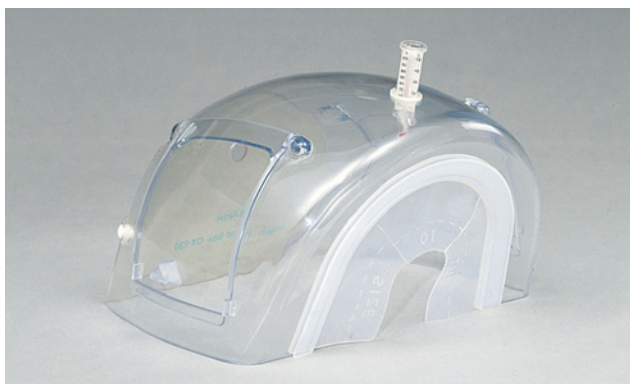
Peripheral



Atom Head Frame

The Atom Head Frame holds the patient circuit tubes and the patient's head securely.

| Atom's Code | Description |
|-------------|-----------------|
| 60846 | Atom Head Frame |



Atom Oxygen Head Box OX-930

An oxygen concentration of 90% or higher is achieved in a short period of time.

| Atom's Code | Description |
|-------------|-----------------------------|
| 60220 | Atom Oxygen Head Box OX-930 |



ATOM FEEDING SYRINGE HOLDER

The Feeding Syringe Holder is intended for automatic feeding. The feeding rate can be adjusted by adjusting the angle of the holder.

| Atom's Code | Description |
|-------------|-----------------------------|
| 60078 | ATOM FEEDING SYRINGE HOLDER |

Peripheral



Cord Holder For F-Rail

The Cord Holder of the rail mounting type
The Cord Holder holds various cords and cables in place on the F-rail and helps keep them tidy.

| Atom's Code | Description | Packing Qty |
|-------------|-------------|-------------|
| 61071 | Cord Holder | (5 pcs/pkg) |



Hose Set for Oxygen and Air,2m for Blender-Pressure Regulator,Screw Type

| Atom's Code | Description |
|-------------|---------------------------------|
| 60351 | Hose Set for Oxygen and Air, 2m |



Hose for High-pressure Oxygen,1m for Pressure Regulator,Screw Type

| Atom's Code | Description |
|-------------|-----------------------------------|
| 60352 | Hose for High-pressure Oxygen, 1m |

Peripheral



Hose for High-pressure Air,1m
for Pressure Regulator,Screw Type

| Atom's Code | Description |
|-------------|--------------------------------|
| 60353 | Hose for High-pressure Air, 1m |



Connecting Hose for Piping

| Atom's Code | Description |
|-------------|----------------------------|
| 60300 | Connecting Hose for Piping |

Disposable / Consumable Items

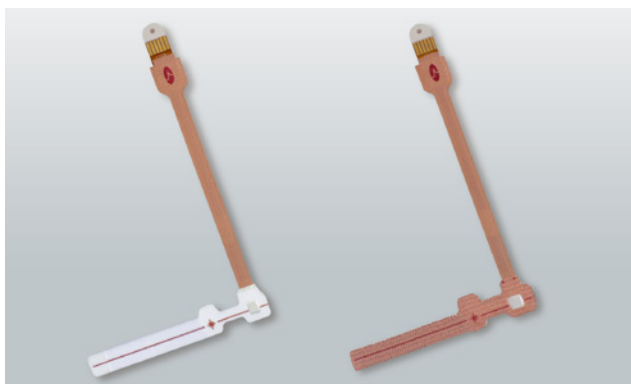


Red LNOP Patient Cables (Masimo)

The SpO₂ cable manufactured by Masimo for the pulse oximeter built into the incubator. Three types of cables of different length are available for your needs.

| Description | Cable length |
|-------------|--------------|
| Red PC - 04 | 1.2m |
| Red PC - 08 | 2.4m |
| Red PC - 12 | 3.6m |

For more information about other sensors and cables, please contact to the local distributor.



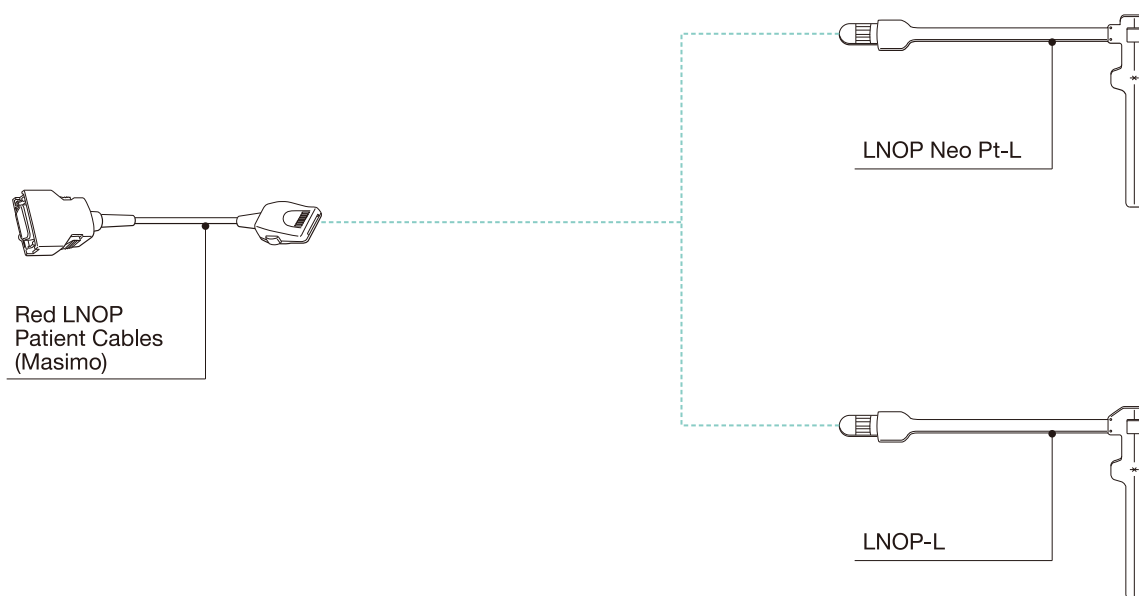
LNOP Sensors

The LNOP Sensor is a disposable sensor for the pulse oximeter built into the incubator. It is an adhesive type sensor available in two different sizes according to the baby's weight. You can obtain measurements even during motion conditions and low perfusion conditions. It is less affected by noise interference.

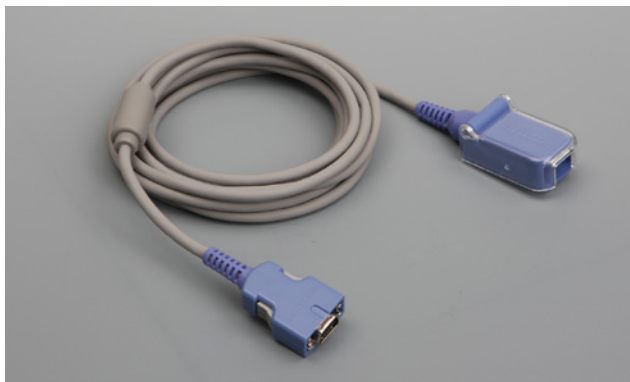
| Description | Indication |
|---------------|----------------------------|
| LNOP Neo Pt-L | Body weight: less than 1kg |
| LNOP-L | Body weight: less than 3kg |

For more information about other sensors and cables, please contact to the local distributor.

Disposable / Consumable Items Masimo Diagram



Disposable / Consumable Items



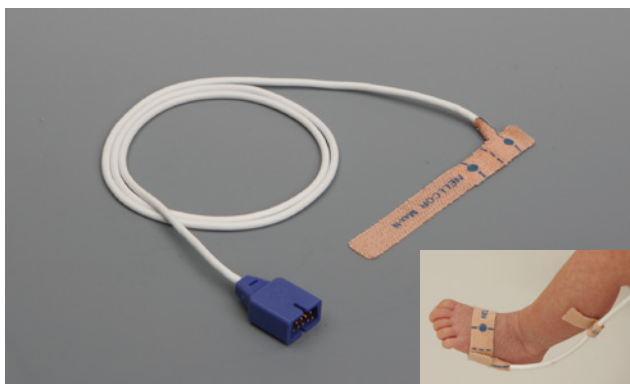
DOC-4 Pulse Oximetry Cable (Nellcor)

The SpO₂ cable manufactured by Nellcor for the pulse oximeter built into the incubator.

Description

DOC-4 Pulse Oximetry Cable (Nellcor)

For more information, please contact to the local distributor.



Nellcor OXIMAX MAX-N For Neonate

The Nellcor OXIMAX MAX-N is a disposable sensor for the pulse oximeter built into the incubator. It is an adhesive type sensor intended for a neonate weighing less than 3kg. The sensor prevents the effects of external interference and provides precise measurements.

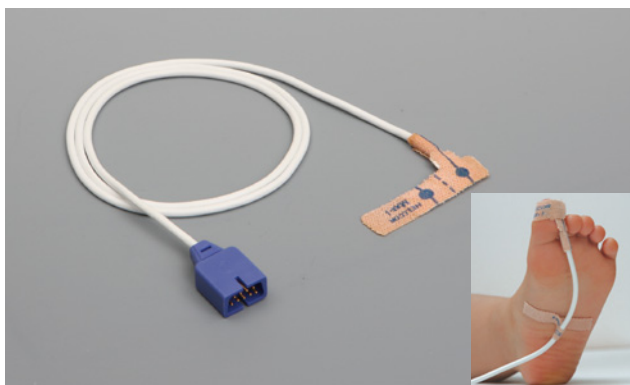
Description

Nellcor OXIMAX MAX-N

Indication

Body weight: less than 3kg

For more information, please contact to the local distributor.



Nellcor OXIMAX MAX-I For Infant

The Nellcor OXIMAX MAX-I is a disposable sensor for the pulse oximeter built into the incubator. It is an adhesive type sensor intended for an infant weighing less than 3~20kg. The sensor prevents the effects of external interference and provides precise measurements.

Description

Nellcor OXIMAX MAX-I

Indication

Body weight : less than 3~20kg

For more information, please contact to the local distributor.

Disposable / Consumable Items Nellcor Diagram



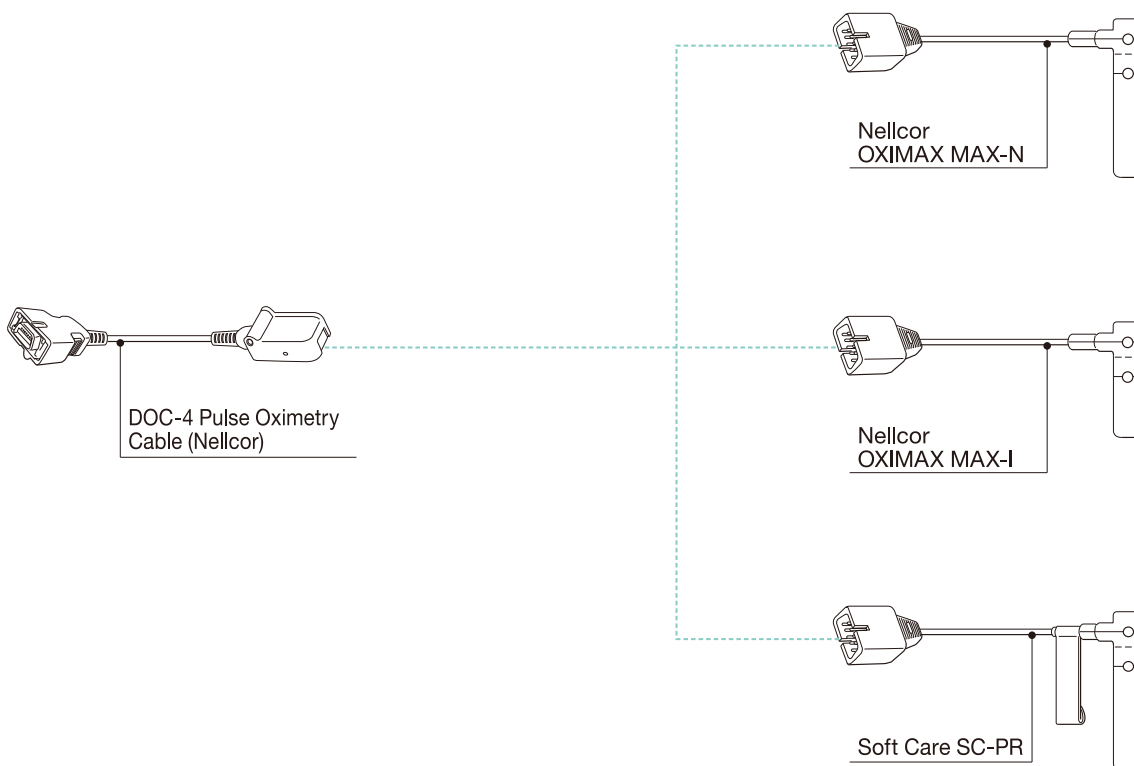
Soft Care SC-PR

The Soft Care SC-PR is a disposable sensor for the pulse oximeter built into the incubator. It is a non-adhesive type sensor designed for the delicate skin of a baby weighing less than 1.5kg. The sensor uses a thin cable optimum for the care of an extremely small patient.

| Description | Indication |
|-----------------|-------------------------------|
| Soft Care SC-PR | Body weight : less than 1.5kg |

For more information, please contact to the local distributor.

Nellcor Diagram



Disposable / Consumable Items



Skin Temp Probe

When a Skin Temp Probe (W) is used in combination with a Skin Temp Probe (Y), the patient's skin temperature at two different sites can be monitored at the same time.

| Atom's Code | Description | Packing Qty |
|-------------|---------------------------------|-------------|
| 60883 | Skin Temp Probe, 5 mm O.D. (Y) | 1 piece |
| 60881 | Skin Temp Probe, 5 mm O.D. (W) | 1 piece |
| 60882 | Skin Temp Probe, 10 mm O.D. (Y) | 1 piece |
| 60880 | Skin Temp Probe, 10 mm O.D. (W) | 1 piece |



Connecting Cable For Dispo Skin Temp Probe

Connecting cable for the Dispo Skin Temp Probe for the i series incubators. It is used to connect a Dispo Skin Temp Probe to the skin temp probe connecting port of the incubator.

| Atom's Code | Description | Packing Qty |
|-------------|----------------------|-------------|
| 60885 | Connecting Cable (Y) | 1 piece |
| 60891 | Connecting Cable (W) | 1 piece |



Dispo Skin Temp Probe

When a Dispo Skin Temp Probe (W) is used in combination with a Dispo Skin Temp Probe (Y), the patient's skin temperature at two different sites can be monitored at the same time. A separate "Connecting Cable" is necessary for each Dispo Skin Temp Probe.

| Atom's Code | Description | Packing Qty |
|-------------|---------------------------|--------------|
| 60884 | Dispo Skin Temp Probe (Y) | (10 pcs/box) |
| 60890 | Dispo Skin Temp Probe (W) | (10 pcs/box) |

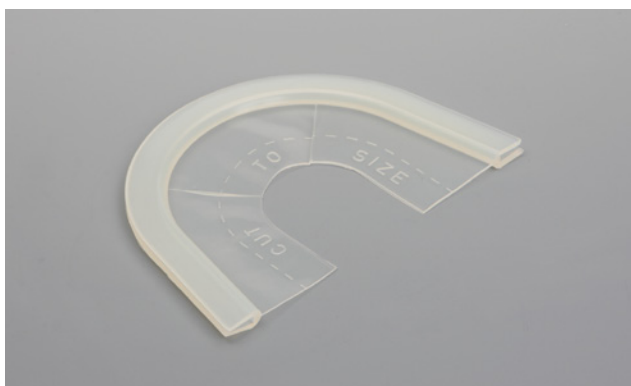
Disposable / Consumable Items



Oxygen Sensor For Dual incu i, Incu i, V-2200, V-2100G

Oxygen sensor for the O₂ controller built into the incubator

| Atom's Code | Description | Packing Qty |
|-------------|---------------|-------------|
| 60859 | Oxygen Sensor | (2 pcs/set) |



Neck Pad

This silicone based pad for the Atom Oxygen Head Box OX-930 prevents oxygen from leaking out of the Oxygen Head Box.

| Atom's Code | Description | Packing Qty |
|-------------|-------------|-------------|
| 60268 | Neck Pad | (5 pcs/pkg) |



Pneumoclean Electret Air Filter

The electret air filter for replacement for the i series incubators. The filter removes at least 99% of airborne dust as small as 0.1 micron and delivers clean air into the incubator.

| Atom's Code | Description | Packing Qty |
|-------------|-------------|-------------|
| 60269 | Pneumoclean | (5 pcs/box) |

Disposable / Consumable Items



Snap-Open Access Port

Snap-open access port for i series incubators

| Atom's Code | Description | Packing Qty |
|-------------|--------------------------------|-------------|
| 60897 | Snap-Open Access Port (W-Wall) | 1 piece |
| 60898 | Snap-Open Access Port (S-Wall) | 1 piece |



Access Port Frame Set (Iris Type)

Access Port Frame Set for Incu i and Neo Servo i

| Atom's Code | Description | Packing Qty |
|-------------|-----------------------------------|-------------|
| 60335 | Access Port Frame Set (Iris Type) | 1 piece |

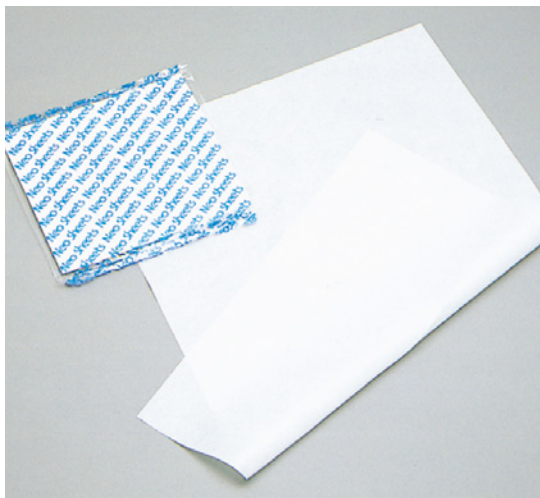


Access Port Cover

Access port cover for replacement for Incu i and Neo Servo i

| Atom's Code | Description | Packing Qty |
|-------------|-------------------|--------------|
| 60860 | Access Port Cover | (20 pcs/pkg) |

Disposable / Consumable Items



Neo Sheets

The disposable sheets made of nonwoven fabric are soft, highly hygroscopic and breathable.

| Atom's Code | Description | Dimensions | Packing Qty |
|-------------|-------------|------------|---------------|
| 60337 | Neo Sheets | 100x75cm | (100 pcs/box) |



Mattress Sheet

100% cotton

| Atom's Code | Description | Dimensions | Packing Qty |
|-------------|----------------|------------|-------------|
| 60321 | Mattress Sheet | 100x100cm | (5 pcs/pkg) |



Baby Card

The sticker type card, directly attachable to the hood of the incubator, is easy to remove and reapply.

| Atom's Code | Description | Color | Packing Qty |
|-------------|-------------|-------|--------------|
| 67100 | Baby Card | Blue | (50 pcs/box) |
| 67101 | | Pink | (50 pcs/box) |

Disposable / Consumable Items



Dispo Liner, 500mL For S401D, Suction Canister

Disposable liner for the Yox Model S401D and the Suction Canister

| Atom's Code | Description | Packing Qty |
|-------------|--------------------|--------------|
| 60355 | Dispo Liner, 500mL | (30 pcs/box) |

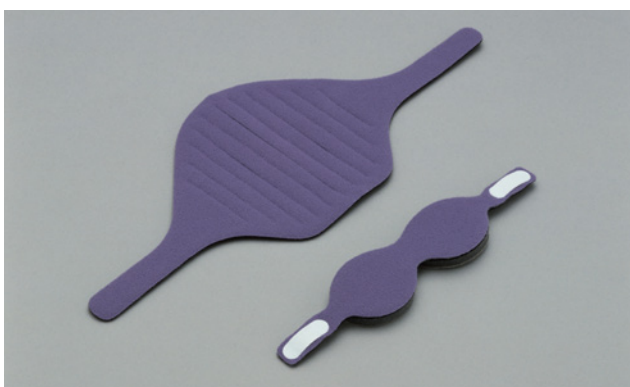


Face Mask

The soft and air cushioned face mask fits well on the face. The air pressure is adjustable to achieve comfortable airtight seal. The transparent material used for the face mask allows a clear view of the patient's mouth, so that the medical staff can check the patient's complexion and recognize any vomit easily. Latex-free to eliminate allergy concerns

| Atom's Code | Description | Intended use | Packing Qty |
|-------------|-------------|--------------|--------------|
| 60143 | Face Mask | For Neonatal | (20 pcs/box) |
| 60144 | | For Infant | (20 pcs/box) |

| | Size | For Neonate | For Infant |
|--|------|-------------|------------|
| | A | 65 | 79 |
| | B | 55 | 67 |
| | C | 41 | 49 |
| | D | 28 | 35 |



Eye Mask

The Eye Mask protects the baby's eyes from phototherapy beams. Easily attachable with the Velcro straps for proper fit on the back of the baby's head, the Eye Mask can be fixed securely in place.

| Atom's Code | Description | Size | Packing Qty |
|-------------|-------------|--|-------------|
| 60289 | Eye Mask | SS (head circumference:less than 28cm) | (5 pcs/pkg) |
| 60288 | | S (head circumference:28~34cm) | (5 pcs/pkg) |
| 60287 | | M (head circumference:over 34cm) | (5 pcs/pkg) |

Disposable / Consumable Items



Jackson Rees Circuit

The APL valve is used to protect the lungs from excessive pressure. The variable valve is adjustable in the range of 0 ~ 60 cmH₂O. When the Jackson Rees Circuit with suction port is used, suctioning can be performed with the circuit attached to the patient. Latex-free to eliminate allergy concerns

| Atom's Code | Description | Intended use | Bag capacity | Suction port | Packing Qty |
|-------------|----------------------|--------------|--------------|--------------|-------------|
| 60140 | Jackson Rees Circuit | For Neonatal | 0.5L | Not attached | 1 piece |
| 60141 | | | | Attached | 1 piece |
| 60142 | | For Infant | 1L | Attached | 1 piece |

Manufacturer: ATOM MEDICAL CORPORATION
<http://www.atomed.co.jp>

Exporter: ATOM MEDICAL INTERNATIONAL, INC.
Iwakata Bldg., 3-18-16, Hongo, Bunkyo-ku, Tokyo, JAPAN
Phone: + 81 3 3815 2941 Fax: + 81 3 3812 9670/4080
URL: <http://www.atom-ami.co.jp>